

Article number: 20251M410AK

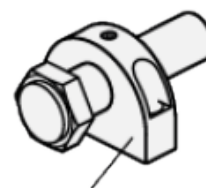
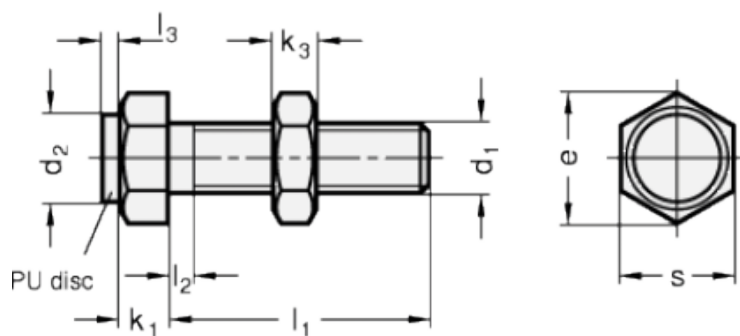
Description: E+G Setting bolt GN 251-M4-10-AK
with nut

Measures

Type AK



Type BK



Mounting block GN 412.1

d	= M4	s = 7
e	= 8.1	
K	= -	
k1	= 2.8	
k2	= 3.2	
l1	= 10	
l2 max.	= 2.1	
l3	= -	